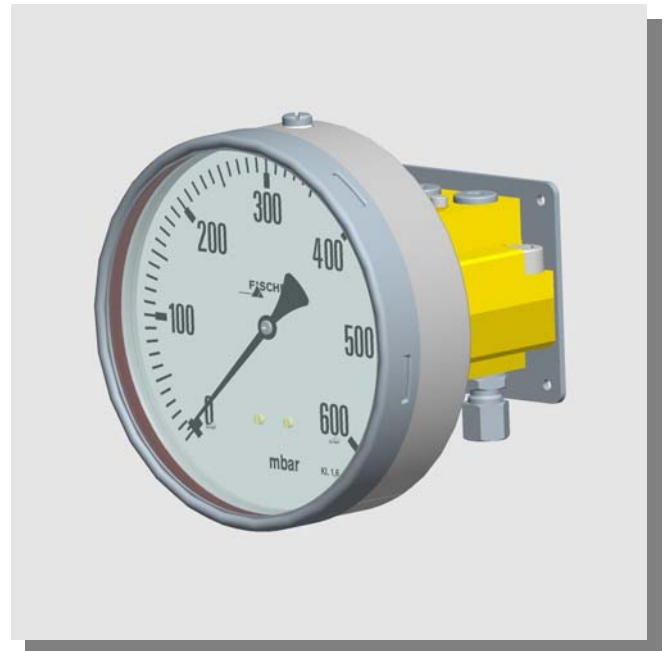


Instruction Manual

DA30 || Differential Pressure Gauge

Table of Contents

1. Safety Instructions
2. Intended Applications
3. Product Description and Functions
4. Installation
5. Commissioning
6. Maintenance
7. Transport
8. Service
9. Accessories
10. Disposal
11. Specifications
12. Dimensions
13. Ordering Code
14. Declaration of Conformity



1. Safety Instructions

1.1. General



This manual contains detailed information about the product and instructions for its installation, operation and maintenance.

Operators and other technical personnel responsible for the equipment must read this thoroughly before attempting to install or operate this equipment. A copy of this manual must always be kept accessible at the place of work for reference by concerned personnel.

Chapter 1 (sections 1.2 through 1.7) contains general as well as specific safety instructions. Chapters 2 through 10, covering topics ranging from intended purpose of the equipment to its final disposal, also include important points relating to safety. Overlooking or ignoring any of these safety points can endanger humans and animals, and possibly cause damage to other equipment.

1.2. Personnel Qualification

Personnel responsible for installation, operation, maintenance and inspection of this product must have the qualifications, training and experience necessary to carry out such work on this type of equipment.

1.3. Risks of Disregarding Safety Instructions

Disregarding safety instructions, use of this product for purposes for which it is not intended, and/or operation of this product outside the limits specified for any of its technical parameters, can result in harm to persons, the environment, or the plant on which it is installed. Fischer Mess- und Regeltechnik GmbH will not be responsible for consequences in such circumstances.



1.4. Safety Instructions for Operators

Safety instructions for the proper use of this product must be followed. This information must be available at all times to personnel responsible for installation, operation, maintenance and inspection of this product. Adequate steps must be taken to prevent the occurrence of hazardous conditions that can be caused by electric energy and the convertible energy of the process media. Such conditions can, for example, be the result of improper electrical or process connections. Detailed information is available in relevant published norms (DIN EN, UVW in Germany; and equivalents in other countries), industrial standards such as DVWG, Ex-, GL-, VDE guidelines, as well as regulations of the local authorities (e.g., EVUs in Germany).

1.5. Modifications Forbidden

Modification or other technical alteration of the product is not permissible. This also applies to the use of unauthorized spare parts for repair / maintenance of the product. Any modifications to this product, if and as necessary, should be done only by Fischer Mess- und Regeltechnik GmbH.

1.6. Operational Restrictions

The operational reliability of the product is guaranteed only when used for intended purposes. The product must be selected and configured for use specifically with defined process media. The limiting values of operating parameters, as given in the product specification sheet, must never be crossed.

1.7. Safety Considerations during Installation and Maintenance

The safety instructions given in this manual, existing national regulations relating to accident prevention and the internal safety rules and procedures of the user organization regarding safety during installation, operation and servicing must all be followed meticulously.

It is the responsibility of the users to ensure that only suitably qualified and experienced technical personnel are used for installation, operation and servicing of this equipment.

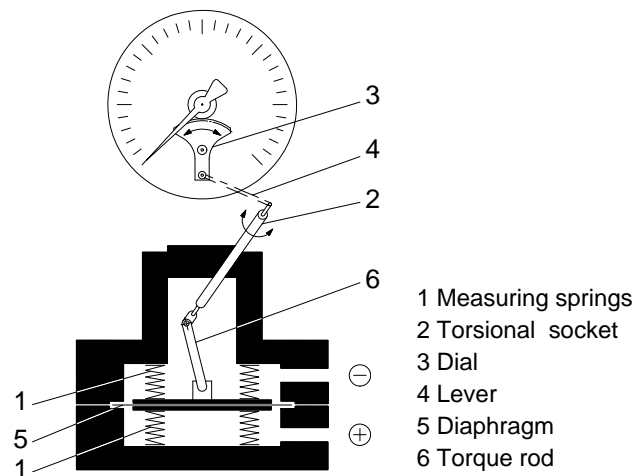
2. Intended Applications

The DA30 measures and indicates pressure and differential pressure. It is suitable to work with gaseous and liquid media not affecting the materials used. Electrical and electronic accessory components (KE...) enable limiting of signal and transmitting of measurement.

The product must be used only for applications and under conditions specified by the manufacturer.

3. Product Description and Functions

3.1. Schematic Diagram



3.2. Principles of Operation

The DA30 is based on a rugged and uncomplicated diaphragm movement, suitable for pressure and differential pressure measurements.

Operating principle of system is identical for all applications of this type. In a state of equilibrium, forces of springs on both sides of the diaphragm are balanced. The pressure or differential pressure to be measured creates an unbalanced force of springs for the measuring range until a new equilibrium is reached. When subjected to excessive pressure, the diaphragm rests on metal supporting plates. A centre-mounted torque rod transfers motion of the diaphragm system by an eccentric tilted axle through a torsional socket outwards.

The axle rotation is transmitted to the dial by a lever.

4. Installation

Types with inbuilt limit switches need matching connection to fixed cable connection to guarantee protection class IP65. Its outer diameter needs to be between 7 and 13 mm.

The instrument is intended and factory adjusted for vertical mounting (wall mounting), pressure ports downward. When mounted in other orientation (max. $\pm 10W^\circ$) the pointers' zero position needs to be adjusted (see 5.2).

4.1. Process Connection

- Only qualified technicians authorized for this type of work should undertake installation.
- Ensure that process equipment and pressure lines are at atmospheric pressure before making pressure connections.
- The instrument should be provided with suitable protection against pressure surges (e.g., snubber or pulsation damper).
- Ensure that the mechanical configuration and materials of construction of the instrument are compatible with the process media.
- Ensure that process pressure is always less than the specified safe pressure rating.

4.2. Electrical Connection

- Only qualified technicians authorized for this type of work should undertake installation.
- Electrical connections must comply with relevant international, national and local regulations and norms relating to electrical and instrumentation installations.
- Switch off electrical power to the plant before attempting electrical installation work of any kind.
- Make electrical connections to the instrument through a suitable fuse.

5. Commissioning

- Power supply, measurement lines and signal cabling to the instrument must be correctly selected to meet operational requirements, and installed in a way that does not cause physical stress to the instrument.
- Pressure lines must have a downward gradient throughout from the pressure instrument to the process vessel / pipe. This is to prevent formation of air / gas pockets (for liquid applications) and liquid plugs (for air / gas applications). If this continuous downward gradient cannot be provided for any reason, then suitable water and / or air separation devices must be inserted into the pressure lines.
- Pressure lines must be kept as short as possible and must not have short bends to avoid measurement errors induced by pressure line delays.
- When used with liquid media the pressure lines must be vented, for different heights in head of liquid in lines cause measuring errors. The instrument and lines must be protected against frost when used with water.
- Carefully check the tightness of all pressure connections before start-up.

5.1. Pressure Connection

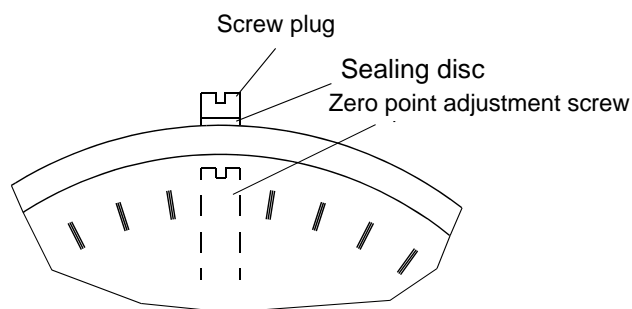
The instruments pressure ports are marked by "+" and "-" symbols. For differential pressure applications the "+" port must be connected to the higher pressure and the "-" port should be connected to the lower pressure.

5.2. Zero Point Adjustment

The differential pressure gauge is factory adjusted therefore in normal case adjustment during installation is not necessary.

- Equalize pressure in both chambers.
- Unmount screw plug.
- Use zero point adjustment screw to set the pointer to zero.
- Mount screw plug.

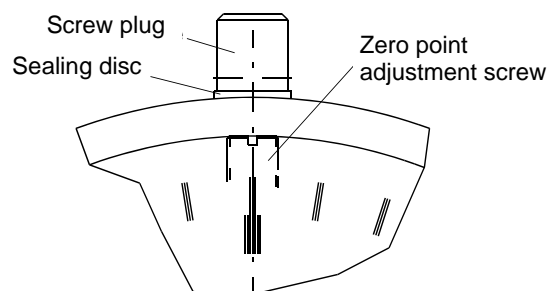
5.2.1. Zero Point Adjustment Screw Position



5.2.2. Zero Point Adjustment Screw Position (Filled Models)



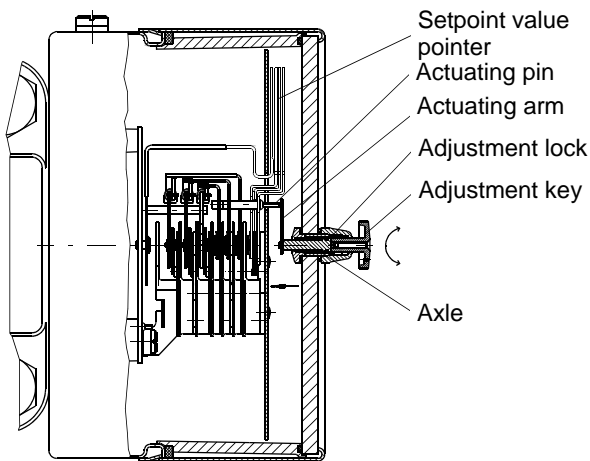
Filled Models need to be vented before commissioning by opening the air valve on the upper side of instrument!



5.3. Setting of Switching Points (only for models with contacts)

An adjustment lock is located in the instruments sight glass. The switching contacts located on the setpoint value indicators can be adjusted to any point of scale by the removable adjustment key.

For reasons of switching accuracy and products life span switching points should be within range of 10% to 90% of scale.



Adjustment Sequence:

- Attach adjustment key on axle of adjustment lock.
- Press axle inwards until the actuating arm interlocks with the actuating pins.
- Turn adjustment key until setpoint value pointer reaches the desired switching point.
- Release axle and remove adjustment key.

5.4. Connection Scheme / Contact Function

See connection scheme on instrument and datasheet Limit Transducer KE... .

Contact Function:

Function 1: Contact closes when the pointer increments clockwise.

Function 2: Contact opens when the pointer increments clockwise.

Contact Assignment:

- Contact 1 - setpoint value pointer on the left
- Contact 2 - setpoint value pointer in the middle
- Contact 3 - setpoint value pointer on the right

6. Maintenance

The instrument is inherently maintenance-free.

However, to ensure reliable operation and maximize the operating life of the instrument, it is recommended that the instrument, its external electrical and process connections and external connected devices be regularly inspected, e.g.:

- Check the display.
- Check the switching function in connection with external devices.
- Check all pressure connections for leak-tightness.
- Check the integrity of all electrical connections of the instruments.

Inspection and test schedules depend on operating and site conditions. The operating manuals of other equipment to which the instrument is connected must be read thoroughly to ensure that all of them work correctly when connected together.

7. Transport

The product must be protected against shock and vibration during transport. It must therefore be properly packed, preferably in the original factory packaging, whenever it is to be transported.

8. Service

Any defective devices or devices with missing parts should be returned to Fischer Mess- und Regeltechnik GmbH. For quick service contact our service department.



Remaining medium in and on dismantled measuring instruments may cause danger to persons, environment and equipment. Take reasonable precautions! Clean the instrument thoroughly if necessary.

9. Accessories

N.A.

10. Disposal



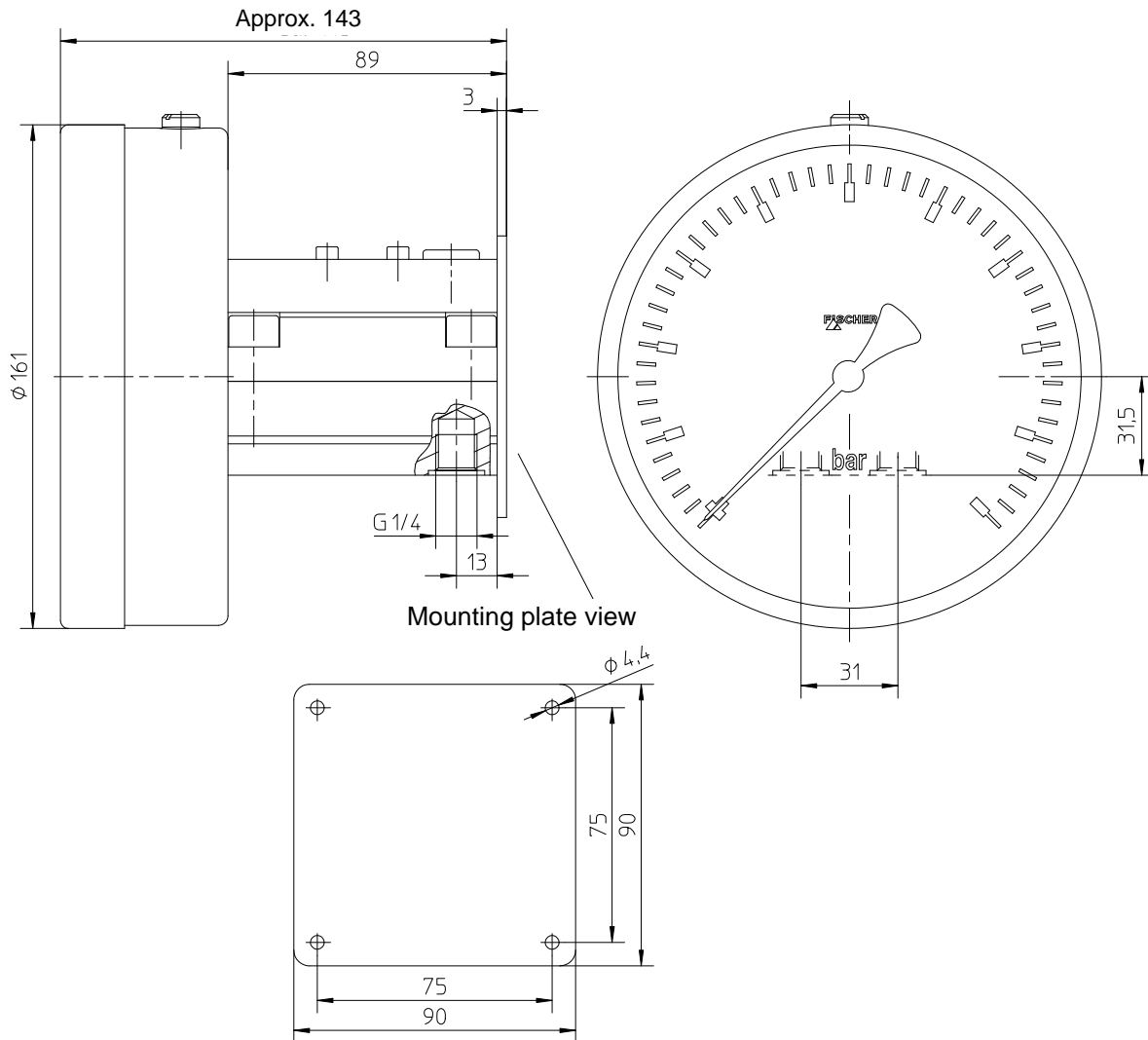
Protect your environment!
Use the product in accordance with relevant regulations. Please be aware of environmental consequences of disposal at the end of the product's life, and take care accordingly.

11. Specifications

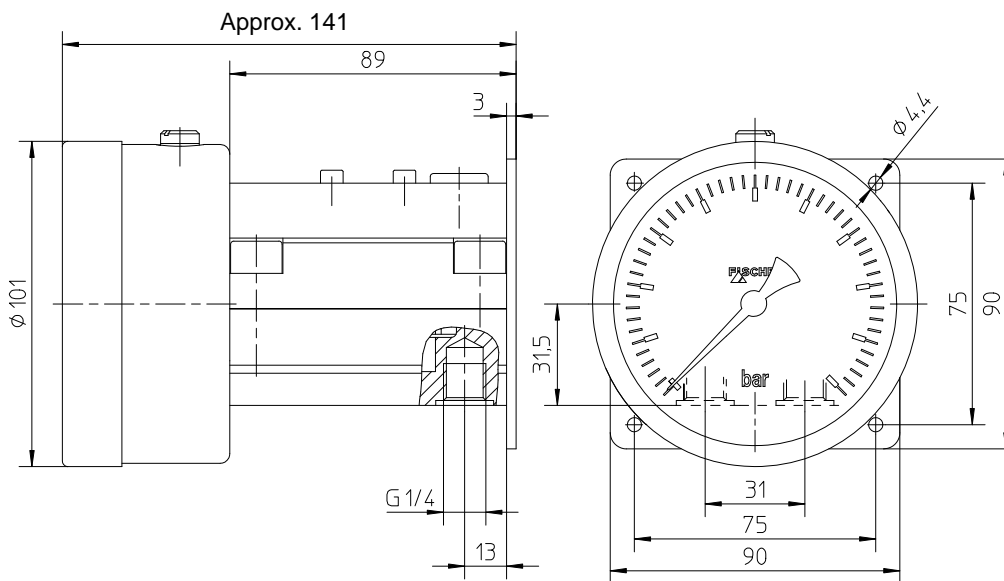
<p>Measuring ranges Nominal pressure rating Accuracy Max. differential overpressure Indicator Max. ambient temperature Max media temperature Temperature coefficient Zero adjustment Protection class Pressure connections</p>	<p>General 0...160 mbar to 0...1.6 bar (see Ordering Code) 50 bar (max. static pressure) Measuring Range 0...100 mbar \pm 2.5% FS Measuring Range 0...160 mbar to 1.6bar \pm 1,6% FS One-sided overpressure protected up to nominal pressure, on (+)- and (-)-side of diaphragm, partial vacuum protected Circular dial type, 100 mm or 160 mm diameter -20°C to +80°C +80°C Approx. 0.3% / 10°C Screw through hole on top of dial housing. \pm 25% FS. IP 65, per DIN EN 60529 Female thread G$\frac{1}{4}$, diverse connenction shanks, cutting ring fittings (see Ordering Code)</p>
<p>Pressure chamber (wetted part) Diaphragm (wetted part) Dial mechanism, gauge housing Dial window Dial scale and pointer Gaskets</p>	<p>Materials Brass Cu Zn 40 EPDM Chrome nickel steel 1.4301 Laminated safety glass Aluminium Viton[®] o-ring</p>
<p>Electrical accessories Liquid filling Reference pointer Options (on request) Pressure connections</p>	<p>Options and Accessories Limit signalling contacts: slow-action / magnetic snap-action / non-contact proximity type limit detector. Pointer rotation transducer: capacitance type, with output signal proportional to the pointer position (uses deeper gauge housing: see Dimensions) For details of electrical accessories, see Data Sheet KE. For operating conditions involving vibration, pressure fluctuations, and/or moisture condensation inside, the gauge can be supplied with glycerine or silicone oil filling. Adjustable pointer for visual marking of limit / reference value. Special dial scales Process pipe connection to be erected by using bite type ferrule connectors or direct fitting of pipe into G$\frac{1}{2}$ F thread. Make sure that the connection is firmly sealed.</p>
<p>Wall mounting</p>	<p>Mounting With mounting plate on back of instrument</p>

12. Dimensions (all units in mm unless otherwise stated)

DA30 with bayonet ring case \varnothing 160 mm



DA30 with bayonet ring case \varnothing 100 mm



13. Ordering Code

Differential Pressure Gauge	DA30		A	M			W			0	0
Measuring Range											
0 ... 100 mbar (on request).....>	8	0									
0 ... 160 mbar.....>	8	1									
0 ... 250 mbar.....>	8	2									
0 ... 400 mbar.....>	8	3									
0 ... 0.6 bar.....>	0	1									
0 ... 1 bar.....>	0	2									
0 ... 1.6 bar.....>	0	3									
*)											
Measuring Diaphragm / Gaskets											
EPDM											
FKM.....>			A								
Pressure Chamber											
Brass.....>				M							
Pressure Connection											
Female thread G¼.....>	0	1									
Male connection shank G¼ B of brass.....>	0	6									
Male connection shank G¼ B of chrome-nickel-steel.....>	1	1									
Cutting ring fitting of 1.4571 for 6 mm tube.....>	2	4									
Cutting ring fitting of 1.4571 for 8 mm tube.....>	2	5									
Cutting ring fitting of 1.4571 for 10 mm tube.....>	2	6									
Cutting ring fitting of 1.4571 for 12 mm tube.....>	2	7									
Cutting ring fitting of brass for 6 mm tube.....>	2	8									
Cutting ring fitting of brass for 8 mm tube.....>	2	9									
Cutting ring fitting of brass for 10 mm tube.....>	3	0									
Dial Size											
ø 100 mm.....>							L				
ø 160 mm.....>							M				
Mounting											
Wall mounting.....>								W			
Dial Liquid Filling											
Without liquid filling.....>									0		
Dial with liquid filling: Glycerine.....>									1		
Dial with liquid filling: Silikone oil.....>									5		
Prepared for liquid filling.....>									7		
Additional Pointer											
Without additional pointer.....>										0	
Adjustable reference pointer.....>										1	

*) other ranges available on request

14. Declaration of Conformity



Konformitätserklärung

Wir erklären in alleiniger Verantwortung, dass nachstehend genannte Produkte

Declaration of Conformity

We declare under our sole responsibility that the products mentioned below

**Differenzdruck-Meßgerät / Differential Pressure Gauge
mit eingebauten Kontakten KE / with inbuilt contacts KE
DA30 #####**

mit den Schutzanforderungen entsprechend der Niederspannungsrichtlinie 73/23/EWG und deren Änderung 93/68/EWG übereinstimmen.

meet the requirements of protection according to the low voltage directive 73/23/EEC and its modification 93/68/EEC.

Fachgrundnormen

Sicherheitsbestimmungen:

EN 61010-1

Sicherheitsbestimmungen für elektrische Meß-, Steuer-, Regel- und Laborgeräte

Generic standards

Safety requirements:

EN 61010-1


Safety requirements for electrical equipment for measurement, control and laboratory use

Die Geräte werden gekennzeichnet mit



The gauges are marked with

Bad Salzuflen, 08.10.2007
(Ort, Datum / place, date)


(rechtsverb. Unterschrift / authorized signature)

Fischer Mess- und Regeltechnik GmbH
Bielefelder Straße 37a
32107 Bad Salzuflen
USt-IdNr.: DE124602659
Steuer-Nr.: 31357290559

Fon (0 52 22) 97 40
Fax (0 52 22) 71 70
Internet:
www.fischermesstechnik.de
eMail: info@fischermesstechnik.de

Sparkasse Lemgo
(BLZ 482 501 10)
Kto-Nr.: 11 841
BIC: WELADED1LEM
IBAN: DE90482501100000011841

Postbank Hannover
(BLZ 250 100 30)
Kto-Nr.: 0201 830 307
BIC: PBNKDEFF
IBAN: DE92501003000201830307

Sitz: Bad Salzuflen
Amtsgericht Lemgo HRB 226
Geschäftsführer:
Günter B. Gödde